

Hermetic Feedthroughs

Multi HV/UHV



DESCRIPTION

SEDI·ATI Optical Fiber Feedthroughs are designed for high & ultrahigh vacuum applications and feature extremely low outgassing rates and helium leak rates.

Multi HV/UHV Hermetic Feedthroughs can be compared to a standard coupling part between two connectors on a KF or CF Flange. They are built with an internal fiber rod identical to the fiber used upstream and downstream for perfect matching of the optical characteristics of the line.

VERSIONS

- FC/PC : 1, 2, 3, or 4 welded feedthroughs on KF DN40 or CF DN40 flange.
- SMA : 1, 2, 3 or 4 welded feedthroughs on KF DN40 or CF DN40 flange.
- Mixed : FC/PC & SMA version on the same flange.
- Custom : contact us with your specific application and requirements.

FIBERS

- FC/PC version : Singlemode, GI50/125, GI62,5/125, LCH50/125, LCH105/125
- SMA version : 200µm to 1000µm core fiber , Low OH, High OH, solarization resistant

FLANGE

- Standard : KF DN40 or CF DN40 .
- Custom : KF, ISO-K or CF with different sizes.

SPECIFICATIONS

- Material : Stainless steel 304L
- Temperature : -55°C / +125°C
- Bakeout temperature : up to 180°C
- Hermeticity : 10⁻⁸ mbar.l/s

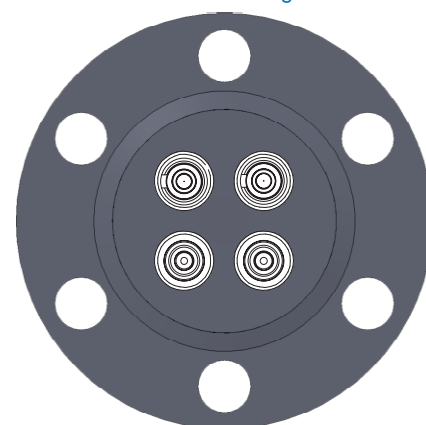
FC/PC Version :

- Insertion Loss : < 1 dB max. @ 1550nm
0,3 dB typ. (fiber SMF28e @ 1550nm)

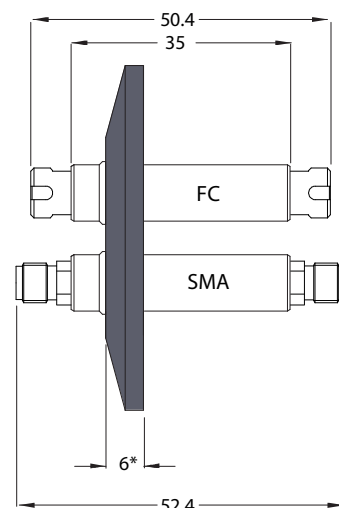
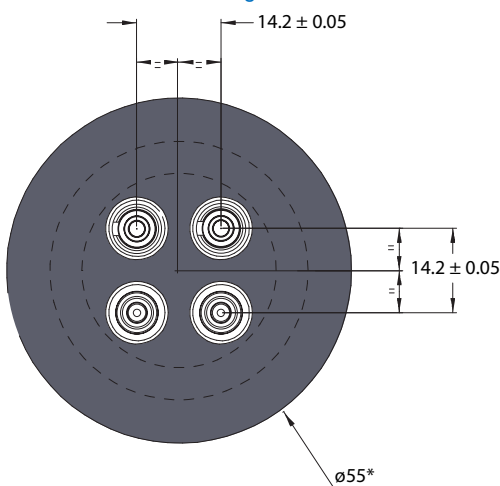
SMA Version :

- Insertion Loss : < 3 dB max. @ 850nm
2dB typ. (fiber 600µm @ 850nm)

CF DN40 Flange



KF DN40 Flange



REFERENCES

FC/PC Version :

- KTRAV-KF40-N° of feedthroughs FC-fiber
- KTRAV-CF40-N° of feedthroughs FC-fiber

SMA Version :

- KTRAV-KF40-N° of feedthroughs SMA-fiber
- KTRAV-CF40-N° of feedthroughs SMA-fiber

Example : KF40 with 4xFC GI50/125 fiber = KTRAV-KF40-4FC-GI50

Mixed Version :

- KTRAV-KF40-Customer Name-Drawing N°
- KTRAV-CF40-Customer Name-Drawing N°